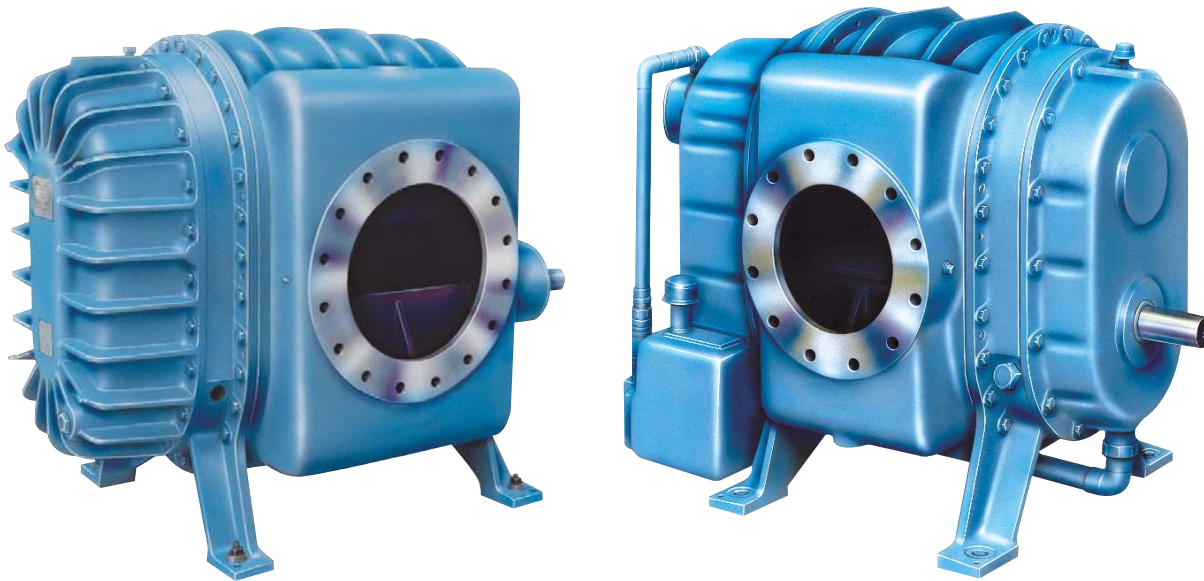


RAS-J AND RGS-J WHISPAIR

AIR AND GAS BLOWERS





Exclusive Whispair™ Design Reduces Wear, Vibration and Noise

Conventional blowers are buffeted up to 120 times a second with shock waves traveling at the speed of sound. The resulting pressure and vibrations rob power and shorten the life of every bearing, gear and other drive train component.

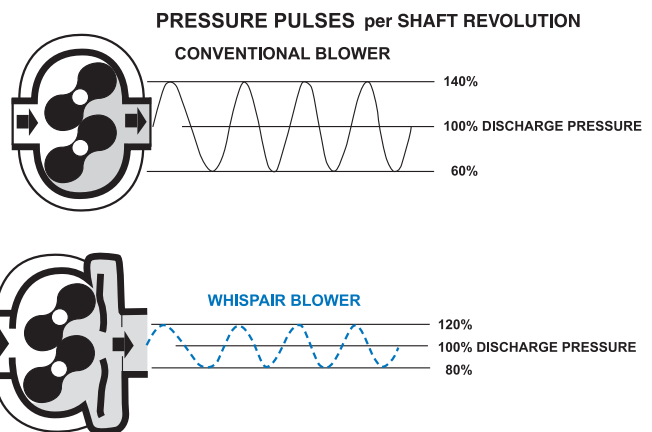
But RAS-J blowers and RGS-J gas blowers have a solution to the problem. ROOTS' exclusive Whispair™ jet design helps equalize pressure pulses, reducing shock wave intensity by up to 40%. Here's what this reduced vibration means to the user:

Longer bearing life

Less shock transmitted through the impellers means approximately 20% longer bearing life. Other components suffer less stress, too.

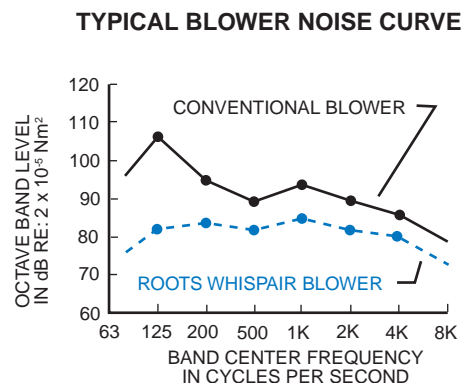
Lower energy consumption

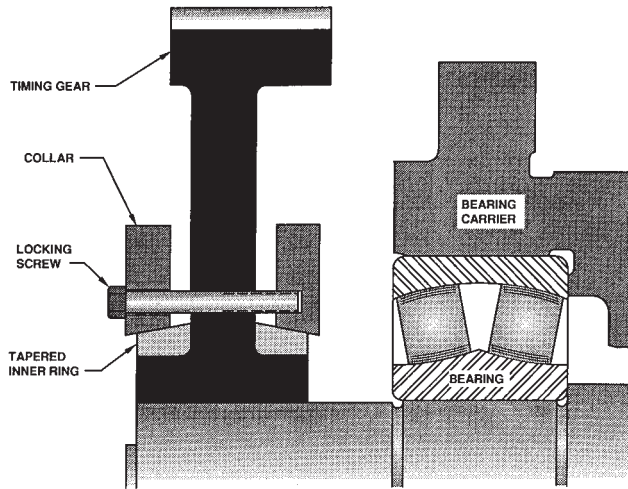
Whispair's jet design controls backflow and channels air pressure in the direction of impeller rotation. The result is an extra "push" that reduces the power required to drive the impellers.



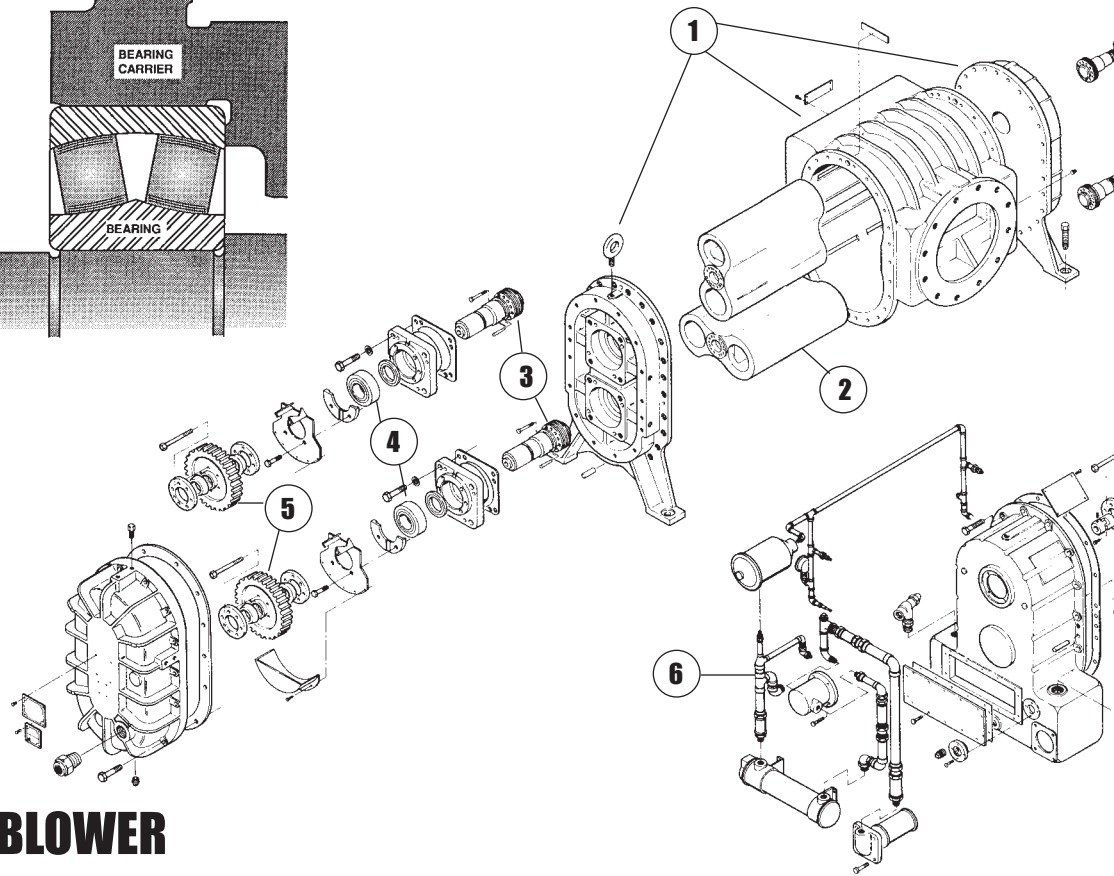
Lower Noise

Pressure pulses are also the major source of blower and gas blower noise. The pressure equalizing effect of the Whispair™ design reduces noise by approximately 5 dBA.

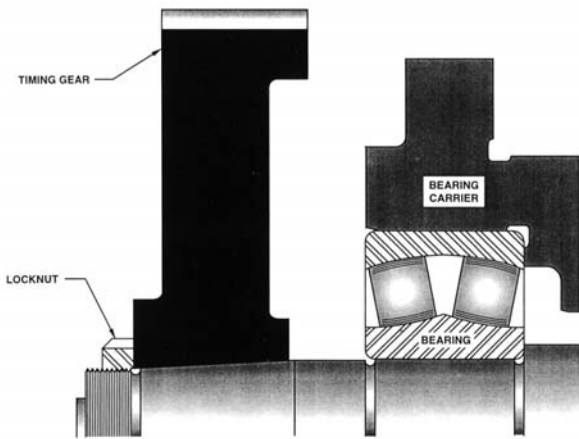




Timing gear locking arrangement for 1200J – 200J frame sizes



RAS-J WHISPAIR BLOWER



Timing gear locking arrangement for 1000-J frame sizes

1. Cylinder and headplates

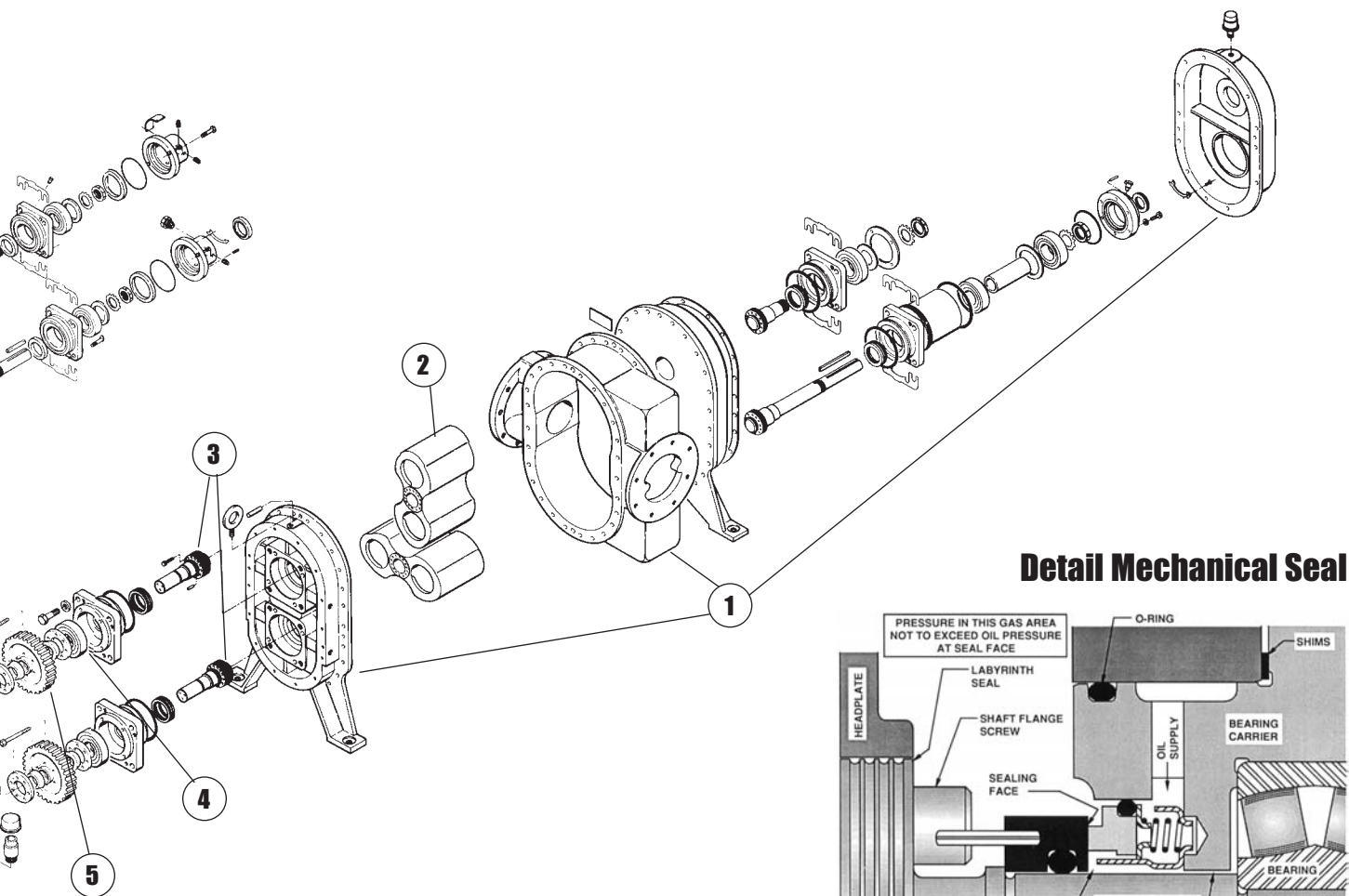
All units are available in either horizontal or vertical flows. Cylinders and headplates are precision machined grey iron, with cast ribs for improved strength and heat transfer. All RAS-J blowers and RGS-J gas blowers incorporate a wrap-around plenum design and feature ROOTS' exclusive Whispair™ jet.

2. Impellers

Made from ductile iron with a tensile strength of 60,000 PSI, impellers are statically and dynamically balanced.

3. Shafts

Impeller shafts are alloy steel forgings, flange connected to the impeller bodies with high-tensile socket head capscrews. Labyrinth seals minimize air leakage in RAS-J blowers; RGS-J gas blowers feature face-type mechanical seals to control gas leakage.



RGS-J WHISPAIR GAS BLOWER

4. Bearings

Long-life, double-row spherical roller bearings support the shaft assemblies and control axial location of the impellers at the thrust end. An inboard bearing minimizes drive shaft stress on 1000J through 1400J frame size, V-belt driven blowers and gas blowers.

5. Timing Gears

The impellers are timed by a pair of precision machined, forged steel gears operating in an oil bath. These wide-faced spur gears are manufactured to AGMA standards and are carburized and ground with a hardness of 58-60 Rc.

On 1000J frame size units the gears are secured to the shafts by a taper fit. Larger sizes use a taper locking device providing an easily adjustable and releasable mechanical shrink fit. No shaft-weakening keyways or locking pins are required.

6. Lubrication

Both RAS-J blowers and RGS-J gas blowers offer a positive pressure lubrication system which can extend bearing life by up to 50%. This system is entirely self-contained and includes an integral drive oil pump, distribution piping. Gearbox oil sump, oil cooler, pressure gauge, relief valve and low oil pressure safety switch. The RAS-J blower is also available with an energy-saving splash lubrication system in place for the pressure system.

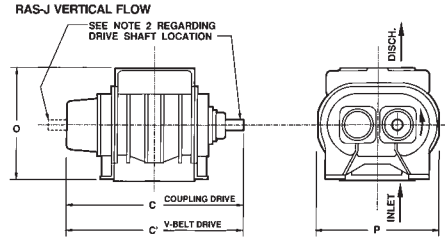
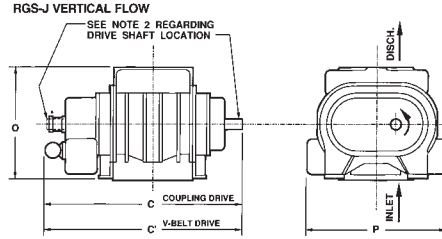
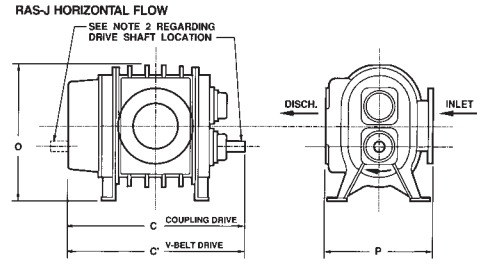
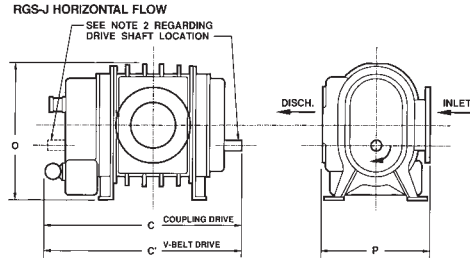
Each unit tested, certified

Every RAS-J blower and RGS-J gas blower is tested at the factory to guarantee that each unit meets performance specifications. Test procedures include a complete flow test at full speed and pressure, as well as vibration measurement at three different performance levels.

RAS-J WHISPAIR BLOWERS

RGS-J WHISPAIR GAS BLOWERS

Dimensions



| FRAME SIZE | PRESURE LUBE | | | | | | | SPLASH LUBE | | | | | | | INLET | DISCH. |
|------------|-----------------|-------|---------------|-------|--------|-------|-------------|-----------------|-------|---------------|-------|--------|-------|-------------|-------|--------|
| | HORIZONTAL FLOW | | VERTICAL FLOW | | BOTH | | MAX. WEIGHT | HORIZONTAL FLOW | | VERTICAL FLOW | | BOTH | | MAX. WEIGHT | | |
| | O | P | O | P | C | C' | | O | P | O | P | C | C' | | | |
| 1006J | 34.75 | 28.50 | 28.75 | 36.00 | 39.56 | 48.44 | 2000 | 34.75 | 28.50 | 28.75 | 30.75 | 30.50 | 39.38 | 1940 | 6 | 6 |
| 1009J | 34.75 | 28.50 | 28.75 | 36.00 | 42.56 | 51.44 | 2110 | 34.75 | 28.50 | 28.75 | 30.75 | 33.50 | 42.38 | 2050 | 10 | 8 |
| 1012J | 34.75 | 28.50 | 28.75 | 36.00 | 45.56 | 54.44 | 2280 | 34.75 | 28.50 | 28.75 | 30.75 | 36.50 | 45.38 | 2200 | 10 | 8 |
| 1016J | 34.88 | 28.50 | 28.75 | 36.00 | 50.06 | 58.94 | 2510 | 34.88 | 28.50 | 28.75 | 30.75 | 41.00 | 49.88 | 2400 | 12 | 10 |
| 1018J | 34.88 | 28.50 | 28.75 | 36.00 | 52.31 | 61.19 | 2590 | 34.88 | 28.50 | 28.75 | 30.75 | 43.25 | 52.13 | 2450 | 12 | 10 |
| 1021J | 34.88 | 28.50 | 28.75 | 36.00 | 54.56 | 63.44 | 2690 | 34.88 | 28.50 | 28.75 | 30.75 | 45.50 | 54.38 | 2550 | 14 | 12 |
| 1024J | 34.88 | 28.50 | 28.75 | 36.00 | 57.56 | 66.44 | 3110 | 34.88 | 28.50 | 28.75 | 30.75 | 48.50 | 57.38 | 3000 | 14 | 12 |
| 1030J | 34.88 | 28.50 | 28.75 | 36.00 | 63.56 | 72.44 | 3660 | 34.88 | 28.50 | 28.75 | 30.75 | 45.50 | 63.38 | 3500 | 16 | 14 |
| 1212J | 40.50 | 33.00 | 33.13 | 40.00 | 46.56 | 49.88 | 3165 | 40.50 | 33.00 | 33.13 | 36.75 | 40.06 | 44.38 | 3100 | 12 | 10 |
| 1216J | 40.50 | 33.00 | 33.13 | 40.00 | 49.56 | 53.88 | 3575 | 40.50 | 33.00 | 33.13 | 36.75 | 44.06 | 48.38 | 3400 | 14 | 12 |
| 1220J | 40.50 | 33.00 | 33.13 | 40.00 | 53.56 | 57.88 | 3790 | 40.50 | 33.00 | 33.13 | 36.75 | 48.06 | 52.38 | 3650 | 16 | 14 |
| 1222J | 40.50 | 33.00 | 33.13 | 40.00 | 56.06 | 60.38 | 3990 | 40.50 | 33.00 | 33.13 | 36.75 | 50.56 | 54.38 | 3800 | 16 | 14 |
| 1225J | 40.50 | 33.00 | 33.13 | 40.00 | 58.56 | 62.88 | 4185 | 40.50 | 33.00 | 33.13 | 36.75 | 53.06 | 57.38 | 4000 | 16 | 14 |
| 1228J | 40.50 | 33.00 | 33.13 | 40.00 | 62.06 | 66.38 | 4345 | 40.50 | 33.00 | 33.13 | 36.75 | 56.56 | 60.88 | 4150 | 18 | 16 |
| 1236J | 40.50 | 33.00 | 33.13 | 40.00 | 69.56 | 73.88 | 4875 | 40.50 | 33.00 | 33.13 | 36.75 | 64.06 | 68.38 | 4650 | 20 | 18 |
| 1414J | 47.25 | 38.50 | 38.00 | 45.25 | 53.38 | 59.19 | 4820 | 47.25 | 38.50 | 38.00 | 43.00 | 45.13 | 50.94 | 4600 | 14 | 12 |
| 1418J | 47.25 | 38.50 | 38.00 | 45.25 | 57.38 | 63.19 | 5130 | 47.25 | 38.50 | 38.00 | 43.00 | 49.13 | 54.94 | 4900 | 14 | 12 |
| 1422J | 47.25 | 38.50 | 38.00 | 45.25 | 61.38 | 67.19 | 5460 | 47.25 | 38.50 | 38.00 | 43.00 | 53.13 | 58.94 | 5200 | 16 | 14 |
| 1425J | 47.25 | 38.50 | 38.00 | 45.25 | 63.88 | 69.69 | 5700 | 47.25 | 38.50 | 38.00 | 43.00 | 55.63 | 61.44 | 5300 | 18 | 16 |
| 1428J | 47.25 | 38.50 | 38.00 | 45.25 | 66.88 | 72.69 | 5950 | 47.25 | 38.50 | 38.00 | 43.00 | 58.63 | 64.44 | 5650 | 18 | 16 |
| 1431J | 47.25 | 38.50 | 38.00 | 45.25 | 70.38 | 76.19 | 6220 | 47.25 | 38.50 | 38.00 | 43.00 | 62.13 | 67.94 | 5900 | 18 | 16 |
| 1435J | 47.25 | 38.50 | 38.00 | 45.25 | 73.38 | 79.69 | 6500 | 47.25 | 38.50 | 38.00 | 43.00 | 65.63 | 71.44 | 6200 | 20 | 18 |
| 1442J | 47.25 | 38.50 | 38.00 | 45.25 | 80.88 | 86.69 | 7090 | 47.25 | 38.50 | 38.00 | 43.00 | 72.63 | 78.44 | 6750 | 24 | 20 |
| 1616J | 53.75 | 44.50 | 43.25 | 51.00 | 48.31 | — | 6185 | 53.75 | 44.50 | 43.25 | 49.50 | 48.31 | — | 5700 | 14 | 12 |
| 1620J | 53.75 | 44.50 | 43.25 | 51.00 | 52.31 | — | 6465 | 53.75 | 44.50 | 43.25 | 49.50 | 52.31 | — | 6000 | 16 | 14 |
| 1625J | 53.75 | 44.50 | 43.25 | 51.00 | 57.31 | — | 6800 | 53.75 | 44.50 | 43.25 | 49.50 | 57.31 | — | 6300 | 20 | 18 |
| 1627J | 53.75 | 44.50 | 43.25 | 51.00 | 59.31 | — | 7135 | 53.75 | 44.50 | 43.25 | 49.50 | 59.31 | — | 6600 | 20 | 18 |
| 1630J | 53.75 | 44.50 | 43.25 | 51.00 | 62.31 | — | 7480 | 53.75 | 44.50 | 43.25 | 49.50 | 62.31 | — | 6850 | 20 | 18 |
| 1633J | 53.75 | 44.50 | 43.25 | 51.00 | 65.31 | — | 7830 | 53.75 | 44.50 | 43.25 | 49.50 | 65.31 | — | 7250 | 24 | 20 |
| 1639J | 53.75 | 44.50 | 43.25 | 51.00 | 71.31 | — | 8370 | 53.75 | 44.50 | 43.25 | 49.50 | 71.31 | — | 7800 | 24 | 20 |
| 1643J | 53.75 | 44.50 | 43.25 | 51.00 | 75.31 | — | 8580 | 53.75 | 44.50 | 43.25 | 49.50 | 75.31 | — | 8000 | 30 | 24 |
| 1648J | 53.75 | 44.50 | 43.25 | 51.00 | 80.31 | — | 8790 | 53.75 | 44.50 | 43.25 | 49.50 | 80.31 | — | 8200 | 30 | 24 |
| 1821J | 59.25 | 49.50 | 48.00 | 56.00 | 57.31 | — | 8440 | 59.25 | 49.50 | 48.00 | 54.00 | 57.31 | — | 7800 | 18 | 16 |
| 1824J | 59.25 | 49.50 | 48.00 | 56.00 | 57.31 | — | 8770 | 59.25 | 49.50 | 48.00 | 54.00 | 60.31 | — | 8100 | 20 | 16 |
| 1827J | 59.25 | 49.50 | 48.00 | 56.00 | 57.31 | — | 9190 | 59.25 | 49.50 | 48.00 | 54.00 | 63.31 | — | 8400 | 20 | 16 |
| 1830J | 59.25 | 49.50 | 48.00 | 56.00 | 57.31 | — | 9610 | 59.25 | 49.50 | 48.00 | 54.00 | 66.31 | — | 8850 | 24 | 20 |
| 1833J | 59.25 | 49.50 | 48.00 | 56.00 | 57.31 | — | 10030 | 59.25 | 49.50 | 48.00 | 54.00 | 69.81 | — | 9300 | 24 | 20 |
| 1838J | 59.25 | 49.50 | 48.00 | 56.00 | 57.31 | — | 10300 | 59.25 | 49.50 | 48.00 | 54.00 | 74.31 | — | 9600 | 24 | 20 |
| 1841J | 59.25 | 49.50 | 48.00 | 56.00 | 57.31 | — | 10450 | 59.25 | 49.50 | 48.00 | 54.00 | 77.31 | — | 9750 | 30 | 24 |
| 1845J | 59.25 | 49.50 | 48.00 | 56.00 | 57.31 | — | 10870 | 59.25 | 49.50 | 48.00 | 54.00 | 81.31 | — | 10100 | 30 | 24 |
| 1849J | 59.25 | 49.50 | 48.00 | 56.00 | 57.31 | — | 11170 | 59.25 | 49.50 | 48.00 | 54.00 | 85.31 | — | 10400 | 30 | 26 |
| 1854J | 59.25 | 49.50 | 48.00 | 56.00 | 57.31 | — | 11470 | 59.25 | 49.50 | 48.00 | 54.00 | 90.31 | — | 10650 | 30 | 26 |
| 2022J | 66.13 | 54.50 | 52.75 | 61.25 | 61.13 | — | 10660 | 66.13 | 54.50 | 52.75 | 61.25 | 61.13 | — | 9800 | 20 | 16 |
| 2026J | 66.13 | 54.50 | 52.75 | 61.25 | 65.13 | — | 11120 | 66.13 | 54.50 | 52.75 | 61.25 | 65.13 | — | 10250 | 20 | 18 |
| 2033J | 66.13 | 54.50 | 52.75 | 61.25 | 72.13 | — | 12130 | 66.13 | 54.50 | 52.75 | 61.25 | 72.13 | — | 11200 | 24 | 20 |
| 2037J | 66.13 | 54.50 | 52.75 | 61.25 | 76.13 | — | 13130 | 66.13 | 54.50 | 52.75 | 61.25 | 76.13 | — | 11800 | 30 | 24 |
| 2040J | 66.13 | 54.50 | 52.75 | 61.25 | 78.63 | — | 13630 | 66.13 | 54.50 | 52.75 | 61.25 | 78.63 | — | 12450 | 30 | 24 |
| 2047J | 66.13 | 54.50 | 52.75 | 61.25 | 85.63 | — | 13900 | 66.13 | 54.50 | 52.75 | 61.25 | 85.63 | — | 12800 | 30 | 24 |
| 2050J | 66.13 | 54.50 | 52.75 | 61.25 | 88.63 | — | 14130 | 66.13 | 54.50 | 52.75 | 61.25 | 88.63 | — | 13100 | 30 | 24 |
| 2057J | 66.13 | 54.50 | 52.75 | 61.25 | 95.63 | — | 14500 | 66.13 | 54.50 | 52.75 | 61.25 | 95.63 | — | 13450 | 30 | 24 |
| 2060J | 66.13 | 54.50 | 52.75 | 61.25 | 98.63 | — | 14850 | 66.13 | 54.50 | 52.75 | 61.25 | 98.63 | — | 13800 | 30 | 26 |
| 2062J | 66.13 | 54.50 | 52.75 | 61.25 | 100.63 | — | 15000 | 66.13 | 54.50 | 52.75 | 61.25 | 100.63 | — | 14000 | 30 | 26 |
| 2064J | 66.13 | 54.50 | 52.75 | 61.25 | 102.63 | — | 15300 | 66.13 | 54.50 | 52.75 | 61.25 | 102.63 | — | 14300 | 30 | 26 |

RAS-J WHISPAIR BLOWERS

RGS-J WHISPAIR GAS BLOWERS

Performance Specifications

| FRAME SIZE | SPEED SIZE | 4 PSI | | | 6 PSI | | | 8 PSI | | | 10 PSI | | | 12 PSI | | | 15 PSI | | | 18 PSI | | | MAX. PRES PSI | MAX. VAC HHG |
|------------|------------|-------|-----|-------|-------|-----|-------|-------|-----|-------|--------|-----|-------|--------|-----|-------|--------|-----|-------|--------|-----|-------|---------------|--------------|
| | | CFM | BHP | BHP/G | CFM | BHP | BHP/G | CFM | BHP | BHP/G | CFM | BHP | BHP/G | CFM | BHP | BHP/G | CFM | BHP | BHP/G | CFM | BHP | BHP/G | | |
| 1006J | 1800 | 1320 | 34 | 39 | 1285 | 46 | 52 | 1256 | 59 | 64 | 1230 | 71 | 89 | 1206 | 83 | 107 | 1174 | 102 | 107 | 1093 | 120 | 126 | 20.0 | 16 |
| 1009J | 1800 | 2007 | 47 | 52 | 1961 | 66 | 71 | 1922 | 84 | 90 | 1887 | 103 | 108 | 1856 | 121 | 127 | 1814 | 149 | 154 | 1687 | 177 | 182 | 20.0 | 16 |
| 1012J | 1800 | 2676 | 62 | 67 | 2615 | 86 | 92 | 2562 | 111 | 117 | 2516 | 136 | 141 | 2475 | 160 | 166 | 2418 | 197 | 203 | 2249 | 234 | 240 | 18.0 | 16 |
| 1016J | 1800 | 3752 | 82 | 88 | 3680 | 116 | 122 | 3621 | 150 | 156 | 3568 | 184 | 190 | 3519 | 218 | 224 | | | | | | | 13.3 | 16 |
| 1018J | 1800 | 4266 | 93 | 98 | 4185 | 131 | 137 | 4117 | 170 | 175 | 4057 | 208 | 214 | | | | | | | | | | 11.7 | 16 |
| 1021J | 1800 | 4781 | 104 | 109 | 4690 | 147 | 152 | 4614 | 190 | 196 | 4546 | 234 | 239 | | | | | | | | | | 10.4 | 16 |
| 1024J | 1800 | 5461 | 118 | 124 | 5358 | 167 | 173 | 5271 | 216 | 222 | | | | | | | | | | | | | 9.2 | 16 |
| 1030J | 1800 | 6822 | 143 | 148 | 6692 | 205 | 210 | | | | | | | | | | | | | | | | 7.3 | 15 |
| 1212J | 1500 | 3238 | 76 | 82 | 3174 | 106 | 111 | 3120 | 135 | 141 | 3072 | 165 | 170 | 3028 | 194 | 200 | 2970 | 238 | 244 | 2796 | 283 | 289 | 20.0 | 16 |
| 1216J | 1500 | 4354 | 100 | 105 | 4268 | 139 | 145 | 4195 | 179 | 185 | 4130 | 218 | 224 | 4072 | 258 | 264 | 3993 | 317 | 323 | | | | 16.5 | 16 |
| 1220J | 1500 | 5508 | 121 | 127 | 5418 | 170 | 176 | 5342 | 220 | 226 | 5275 | 269 | 275 | 5214 | 319 | 325 | | | | | | | 13.2 | 16 |
| 1222J | 1500 | 6193 | 134 | 140 | 6092 | 190 | 196 | 6006 | 245 | 251 | 5931 | 301 | 307 | | | | | | | | | | 11.7 | 16 |
| 1225J | 1500 | 6892 | 147 | 153 | 6779 | 209 | 214 | 6684 | 270 | 276 | 6600 | 332 | 338 | | | | | | | | | | 10.5 | 16 |
| 1228J | 1500 | 7857 | 165 | 171 | 7728 | 236 | 241 | 7619 | 306 | 312 | | | | | | | | | | | | | 9.2 | 16 |
| 1236J | 1500 | 9912 | 203 | 209 | 9749 | 292 | 298 | | | | | | | | | | | | | | | | 7.3 | 15 |
| 1414J | 1300 | 4680 | 113 | 121 | 4592 | 155 | 163 | 4518 | 197 | 206 | 4453 | 240 | 248 | 4394 | 262 | 290 | 4315 | 346 | 354 | 4243 | 409 | 419 | 20.0 | 16 |
| 1418J | 1300 | 5976 | 141 | 149 | 5864 | 195 | 204 | 5770 | 249 | 258 | 5687 | 304 | 312 | 5611 | 358 | 366 | 5510 | 439 | 448 | | | | 16.6 | 16 |
| 1422J | 1300 | 7357 | 165 | 173 | 7243 | 230 | 238 | 7146 | 296 | 304 | 7061 | 362 | 370 | 6985 | 427 | 435 | | | | | | | 13.7 | 16 |
| 1425J | 1300 | 8184 | 180 | 188 | 8057 | 253 | 262 | 7950 | 326 | 335 | 7855 | 400 | 409 | 7770 | 472 | 481 | | | | | | | 12.2 | 16 |
| 1428J | 1300 | 9156 | 199 | 207 | 9014 | 280 | 289 | 8894 | 362 | 370 | 8789 | 444 | 452 | | | | | | | | | | 11.0 | 16 |
| 1431J | 1300 | 10300 | 220 | 228 | 10140 | 312 | 320 | 10005 | 404 | 412 | | | | | | | | | | | | | 9.8 | 16 |
| 1435J | 1300 | 11455 | 244 | 252 | 11277 | 346 | 354 | 11127 | 450 | 457 | | | | | | | | | | | | | 8.8 | 16 |
| 1442J | 1300 | 13741 | 292 | 300 | 13527 | 414 | 422 | | | | | | | | | | | | | | | | 7.3 | 15 |
| 1616J | 1130 | 5879 | 144 | 155 | 5772 | 197 | 208 | 5683 | 250 | 261 | 5604 | 303 | 314 | 5533 | 356 | 367 | 5436 | 436 | 447 | 5349 | 515 | 526 | 20.0 | 16 |
| 1620J | 1130 | 7343 | 178 | 187 | 7210 | 244 | 253 | 7099 | 310 | 320 | 7000 | 377 | 386 | 6911 | 442 | 452 | 6791 | 542 | 553 | | | | 17.6 | 16 |
| 1625J | 1130 | 9184 | 210 | 220 | 9018 | 293 | 303 | 8878 | 376 | 386 | 8755 | 461 | 469 | 8644 | 542 | 552 | | | | | | | 14.0 | 16 |
| 1627J | 1130 | 10049 | 224 | 235 | 9900 | 314 | 324 | 9774 | 403 | 414 | 9663 | 493 | 503 | 9563 | 582 | 593 | | | | | | | 13.0 | 16 |
| 1630J | 1130 | 11162 | 245 | 255 | 10996 | 344 | 355 | 10856 | 444 | 454 | 10733 | 543 | 554 | | | | | | | | | | 11.7 | 16 |
| 1633J | 1130 | 12275 | 266 | 276 | 12093 | 375 | 386 | 11939 | 485 | 495 | 11804 | 594 | 604 | | | | | | | | | | 10.6 | 16 |
| 1639J | 1130 | 14511 | 310 | 320 | 14296 | 439 | 449 | 14114 | 568 | 579 | | | | | | | | | | | | | 9.0 | 16 |
| 1643J | 1130 | 15959 | 339 | 350 | 15758 | 482 | 492 | 15558 | 624 | 635 | | | | | | | | | | | | | 8.2 | 16 |
| 1648J | 1130 | 17861 | 378 | 389 | 17596 | 538 | 549 | | | | | | | | | | | | | | | | 7.3 | 15 |
| 1821J | 1000 | 8658 | 206 | 216 | 8507 | 284 | 294 | 8380 | 362 | 372 | 8268 | 440 | 450 | 8166 | 518 | 528 | 8029 | 635 | 645 | 7905 | 752 | 762 | 18.8 | 16 |
| 1824J | 1000 | 9902 | 233 | 242 | 9729 | 322 | 332 | 9584 | 411 | 421 | 9455 | 500 | 510 | 9339 | 589 | 599 | 9182 | 723 | 734 | | | | 16.5 | 16 |
| 1827J | 1000 | 11127 | 260 | 270 | 10933 | 360 | 370 | 10769 | 460 | 470 | 10625 | 560 | 570 | 10490 | 661 | 671 | | | | | | | 14.6 | 16 |
| 1830J | 1000 | 12521 | 286 | 296 | 12341 | 397 | 407 | 12190 | 509 | 519 | 12056 | 620 | 630 | 11930 | 731 | 741 | | | | | | | 13.2 | 16 |
| 1833J | 1000 | 13978 | 313 | 323 | 13777 | 437 | 447 | 13608 | 562 | 571 | 13455 | 686 | 696 | | | | | | | | | | 11.7 | 16 |
| 1838J | 1000 | 15858 | 347 | 357 | 15630 | 488 | 498 | 15439 | 630 | 639 | 15270 | 771 | 780 | | | | | | | | | | 10.4 | 16 |
| 1841J | 1000 | 17108 | 370 | 379 | 16863 | 522 | 532 | 16656 | 674 | 684 | | | | | | | | | | | | | 9.5 | 16 |
| 1845J | 1000 | 18781 | 400 | 410 | 18512 | 567 | 577 | 18285 | 734 | 744 | | | | | | | | | | | | | 8.8 | 16 |
| 1849J | 1000 | 20454 | 433 | 441 | 20161 | 615 | 623 | 19914 | 797 | 805 | | | | | | | | | | | | | 8.0 | 16 |
| 1854J | 1000 | 22541 | 474 | 484 | 22218 | 675 | 685 | | | | | | | | | | | | | | | | 7.3 | 15 |
| 2022J | 900 | 10357 | 244 | 255 | 10191 | 337 | 348 | 10051 | 429 | 441 | 9927 | 522 | 533 | 9816 | 615 | 626 | 9664 | 754 | 765 | 9528 | 893 | 904 | 19.6 | 16 |
| 2026J | 900 | 12197 | 283 | 294 | 12001 | 392 | 403 | 11836 | 501 | 512 | 11691 | 611 | 622 | 11550 | 720 | 731 | 11381 | 884 | 895 | | | | 16.6 | 16 |
| 2033J | 900 | 15606 | 342 | 353 | 15400 | 480 | 491 | 15226 | 618 | 629 | 15073 | 756 | 767 | 14930 | 894 | 905 | | | | | | | 13.0 | 16 |
| 2037J | 900 | 17468 | 376 | 387 | 17237 | 530 | 541 | 17042 | 685 | 696 | 16870 | 839 | 851 | | | | | | | | | | 11.7 | 16 |
| 2040J | 900 | 18632 | 397 | 408 | 18386 | 562 | 573 | 18178 | 727 | 738 | 17995 | 892 | 903 | | | | | | | | | | 11.0 | 16 |
| 2044J | 900 | 20494 | 431 | 442 | 20223 | 613 | 624 | 19994 | 794 | 805 | 19793 | 975 | 987 | | | | | | | | | | 10.0 | 16 |
| 2047J | 900 | 21894 | 456 | 467 | 21604 | 650 | 661 | 21360 | 844 | 855 | | | | | | | | | | | | | 9.4 | 16 |
| 2050J | 900 | 23290 | 482 | 493 | 22982 | 688 | 699 | 22723 | 894 | 905 | | | | | | | | | | | | | 8.8 | 16 |
| 2055J | 900 | 25619 | 529 | 540 | 25280 | 756 | 767 | | | | | | | | | | | | | | | | 7.9 | 16 |
| 2057J | 900 | 25552 | 548 | 558 | 26200 | 783 | 793 | | | | | | | | | | | | | | | | 7.7 | 15 |
| 2060J | 900 | 27948 | 574 | 585 | 27579 | 822 | 833 | | | | | | | | | | | | | | | | 7.3 | 15 |
| 2062J | 900 | 28880 | 593 | 603 | 28498 | 849 | 859 | | | | | | | | | | | | | | | | 7.0 | 14 |
| 2064J | 900 | 29807 | 612 | 622 | 29412 | 876 | 886 | | | | | | | | | | | | | | | | 6.9 | 14 |

Ratings based on inlet air at standard temperature of 68° F, ambient pressure of 14.7 psia and specific gravity of 1.0

Note: BHP/G is the brake horsepower for the mechanically sealed RGS-J Blower.

Dresser, Inc.



Roots

B-5219
February 2004

Dresser ROOTS
2135 Hwy 6 South
Houston, TX 77077
PH: 281-966-4700
FX: 281-966-4309
Toll Free: 1-877-363-ROOT(S)

Dresser ROOTS
Connersville
900 West Mount Street
Connersville, IN 47331
PH: 765-827-9200
FX: 765-827-9266

Dresser ROOTS
Holmes Operation
PO Box B7
Off St. Andrews Rd
Turnbridge, Huddersfield
England HD1 6RB
PH: +44-1484-422222
FX: +44-1484-422668

website: www.rootsblower.com • email: ROOTS@dresser.com